

# Pyxis



**Porta battente pivotante con parete fissa in linea solo per nicchia.**

Porta ad un'anta a battente pivotante (8 mm) con parete fissa in linea (6 mm). Apertura verso l'interno e l'esterno.

**Porte à un panneau pivotant et paroi fixe en ligne.**

Porte de douche à un panneau pivotant 8 mm. (axe déporté) et paroi fixe en ligne 6 mm. Ouverture pivotante vers l'intérieur et l'extérieur.

**Pivot door and fixed panel in line,**

Shower enclosure with pivot door (8 mm) and fixed panel in line (6 mm). Inward and outward opening pivot door.

**Puerta con un panel abatible y panel fijo en linea.**

Apertura con hoja abatible hacia el interior y el exterior.

**Drehtür mit Festwand in Linie.**

Öffnung mit Drehtür nach innen und außen.

**Veugeldeur met vaste wand in lijn,**

Omkeerbaar voor bepaling openingzijde.

**Одностворчатая распашная дверь с стационарной панелью,**

Открываем ввнутри и наружу.

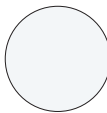


## Finitura profili

Finitions des profilés\_Profiles finishing \_Acabado perfiles  
Profilfarbe\_Profiel afwerkingen\_Отделка профилей



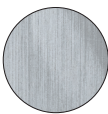
**ULU  
brillantato cromo**  
chromé brillant  
brilliant chrome  
aluminio cromo  
Chrom glänzend  
glanzend chroom  
светлый блестящий хром



**L91  
bianco**  
blanc  
white  
blanco  
Weiß  
wit  
белый



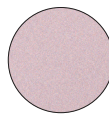
**L96  
nero opaco**  
noir mat  
matt black  
negro mate  
Matt Schwarz  
zwart matte  
черный Матовая



**SNK  
Nickel spazzolato**  
nickel satiné  
satinéd nickel  
niquel satinado  
Satiniertes Nickel  
nickel satijn  
Атласный никель



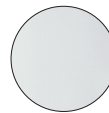
**AL4  
Bronzo spazzolato**  
bronze brossé  
brushed bronze  
bronze cepillado  
Bronze gebürstet  
brons geborsteld  
Алюминиевая бронза



**L55  
Rosa metallizzato**  
rose métallisé  
metallic pink  
rosa metalizado  
Metalllic-Rosa  
roze metallic  
матовый розовый

## Finitura pannelli

Finitions des panneaux\_Panels finishing \_Acabado perfiles  
Glasart\_Paneel afwerkingen\_Отделка панелей



**TR  
trasparente**  
transparent  
transparent  
transparente  
Klarglas  
transparent  
прозрачное



**TG  
trasparente Grigio**  
transparent Gris  
transparent Grey  
transparente Gris  
Klarglas Grau  
transparent Grijs  
прозрачное Серое

# Porta battente pivotante con parete fissa in linea solo per nicchia

Porte à un panneau pivotant et paroi fixe en ligne




Pivot door and fixed panel in line

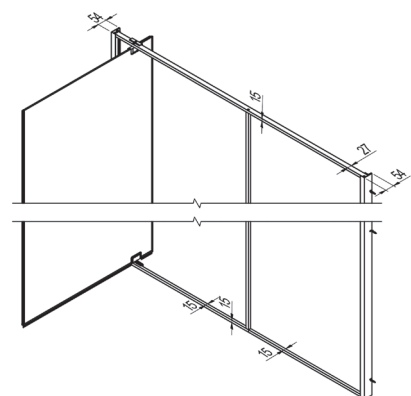
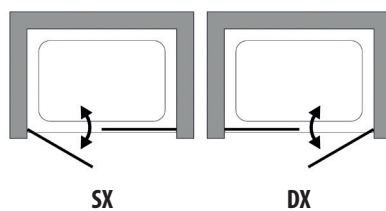
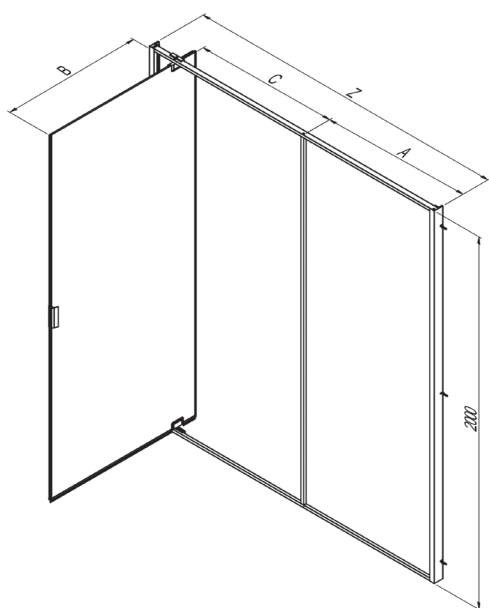
Puerta con un panel abatible y panel fijo en linea

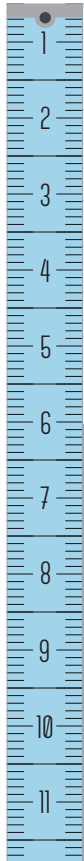
Drehtür mit Festwand in Linie

Vleugel deur met vaste wand in lijn

Одностворчатая распашная дверь с Стационарная панель

Z [cm]	Cod.	A [cm]	B [cm]	C [cm]	 [dm <sup>3</sup> ]	 [kg]	 [n°]
97-99	B1740	33	47	48	184	36	2
99-101	B1741	33	49	50	188	37	2
117-119	B1742	33	67	68	222	44	2
119-121	B1743	33	69	70	226	44	2
137-139	B1744	53	67	68	260	51	2
139-141	B1745	53	69	70	264	52	2
157-159	B1746	73	67	68	298	58	2
159-161	B1747	73	69	70	302	59	2
177-179	B1748	83	77	78	336	66	2
179-181	B1749	83	79	80	340	67	2





Prodotti Speciali - Produits Spéciaux - Special products - Productos Especiales - Sonderfertigungen - Maatwerk - Специальные Иродукты

MISURE LIMITE	Altezza max 200 cm.	Altezza min 150 cm.	Larghezza max 200 cm.	Larghezza min 90 cm.
MESURES LIMITES	Hauteur max 200 cm.	Hauteur min 150 cm.	Largeur max 200 cm.	Largeur min 90 cm.
LIMITS OF MEASUREMENTS	Height max 200 cm.	Height min 150 cm.	Width max 200 cm.	Width min 90 cm.
MEDIDAS LIMITE	Altura max 200 cm.	Altura min 150 cm.	Anchura max 200 cm.	Anchura min 90 cm.
GRENZMAßE	Höhe max 200 cm.	Höhe min 150 cm.	Breite max 200 cm.	Breite min 90 cm.
EXTREME MATEN	Hoogte max 200 cm.	Hoogte min 150 cm.	Breedte max 200 cm.	Breedte min 90 cm.
ПРЕДЕЛЬНЫЕ РАЗМЕРЫ:	Макс. высота 200 см	Мин. высота 150 см	Макс. ширина 200 см	Мин. ширина 90 см

	I								
	II								
	III								

*RIC3098*

B1740	RIC3164---/SX
B1741	RIC3165---/SX
B1742	RIC3166---/SX
B1743	RIC3167---/SX
B1744	RIC3168---/SX
B1745	RIC3169---/SX
B1746	RIC3170---/SX
B1747	RIC3171---/SX
B1748	RIC3172---/SX
B1749	RIC3173---/SX

*RIC3095*

*RIC3093*

*RIC2991*

*RIC3096--/SX*

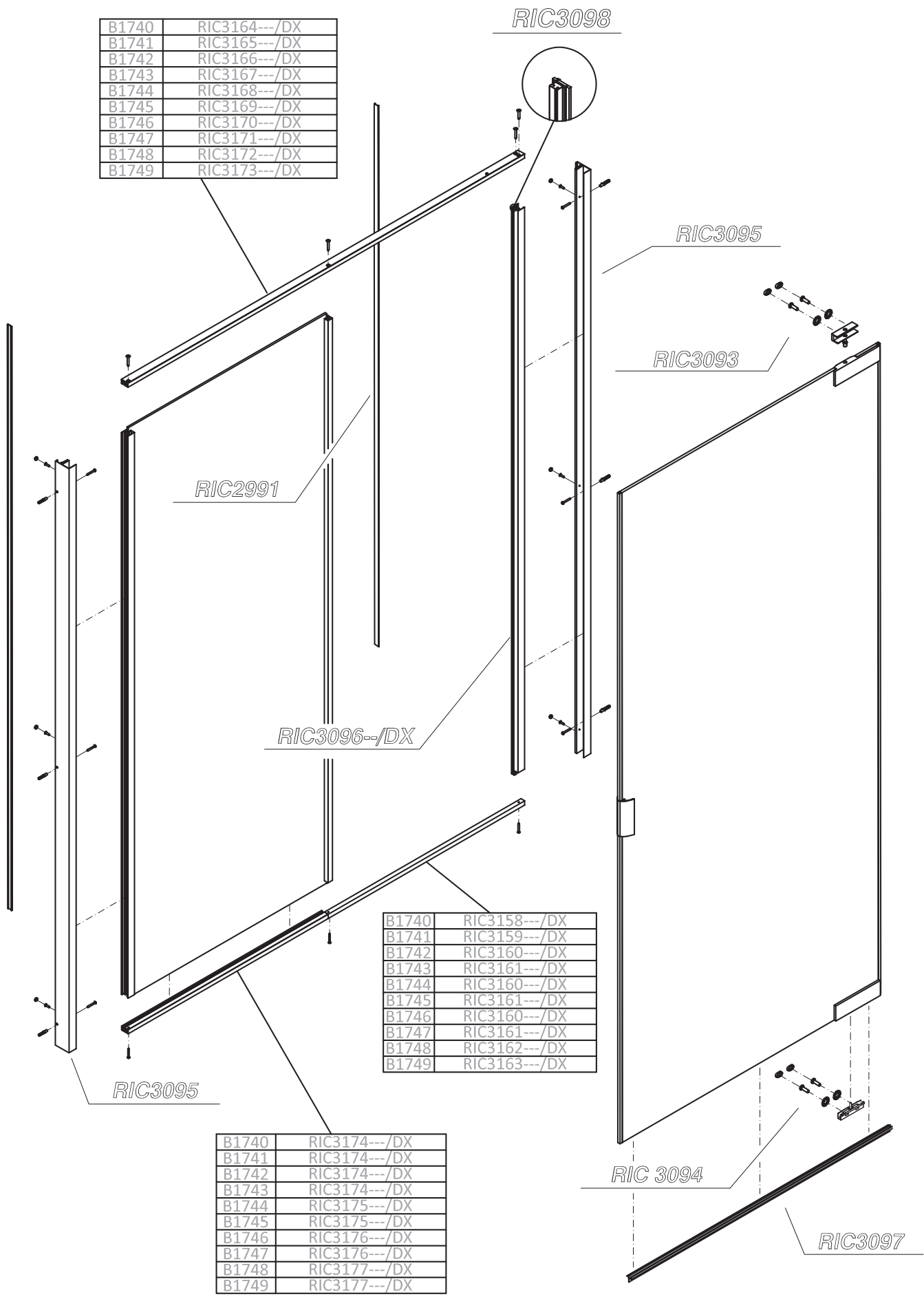
B1740	RIC3158---/SX
B1741	RIC3159---/SX
B1742	RIC3160---/SX
B1743	RIC3161---/SX
B1744	RIC3160---/SX
B1745	RIC3161---/SX
B1746	RIC3160---/SX
B1747	RIC3161---/SX
B1748	RIC3162---/SX
B1749	RIC3163---/SX

*RIC3095*

*RIC 3094*

B1740	RIC3174---/SX
B1741	RIC3174---/SX
B1742	RIC3174---/SX
B1743	RIC3174---/SX
B1744	RIC3175---/SX
B1745	RIC3175---/SX
B1746	RIC3176---/SX
B1747	RIC3176---/SX
B1748	RIC3177---/SX
B1749	RIC3177---/SX

*RIC3097*



B1740	RIC3164---/DX
B1741	RIC3165---/DX
B1742	RIC3166---/DX
B1743	RIC3167---/DX
B1744	RIC3168---/DX
B1745	RIC3169---/DX
B1746	RIC3170---/DX
B1747	RIC3171---/DX
B1748	RIC3172---/DX
B1749	RIC3173---/DX

*RIC3098*

*RIC3095*

*RIC3093*

*RIC2991*

*RIC3096--/DX*

B1740	RIC3158---/DX
B1741	RIC3159---/DX
B1742	RIC3160---/DX
B1743	RIC3161---/DX
B1744	RIC3160---/DX
B1745	RIC3161---/DX
B1746	RIC3160---/DX
B1747	RIC3161---/DX
B1748	RIC3162---/DX
B1749	RIC3163---/DX

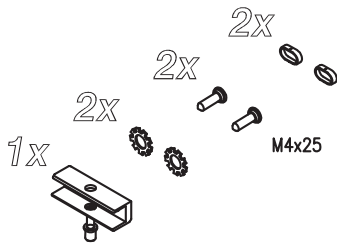
*RIC3095*

*RIC 3094*

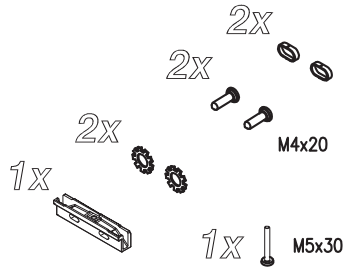
*RIC3097*

B1740	RIC3174---/DX
B1741	RIC3174---/DX
B1742	RIC3174---/DX
B1743	RIC3174---/DX
B1744	RIC3175---/DX
B1745	RIC3175---/DX
B1746	RIC3176---/DX
B1747	RIC3176---/DX
B1748	RIC3177---/DX
B1749	RIC3177---/DX

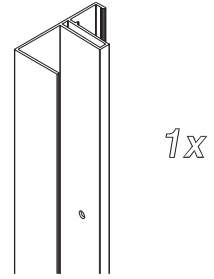
RIC3093



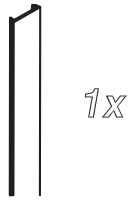
RIC3094



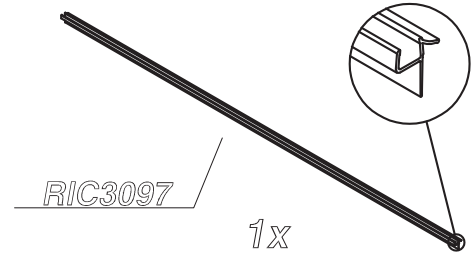
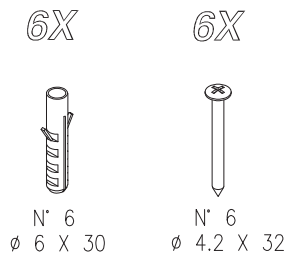
RIC3095



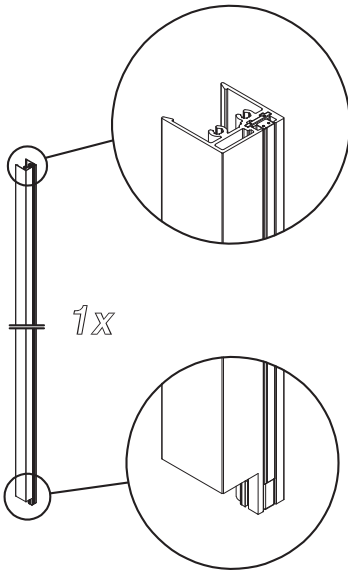
RIC2991



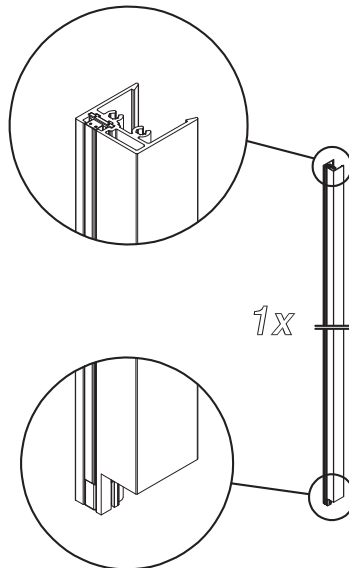
RIC155



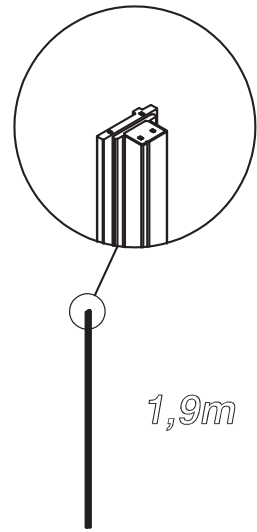
RIC3096---/SX



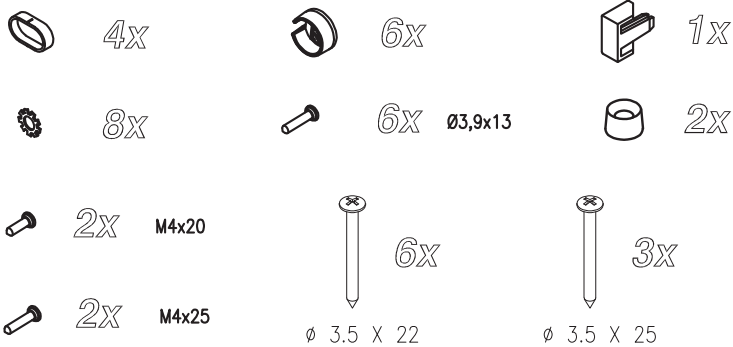
RIC3096---/DX



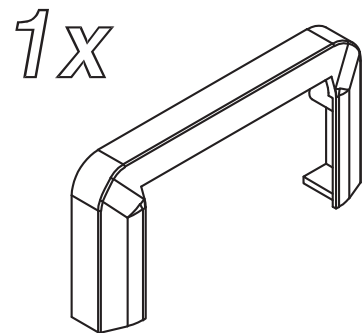
RIC3098



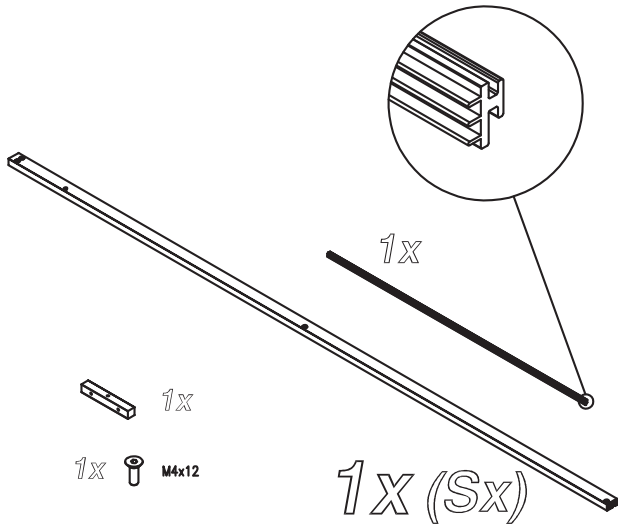
RIC3099



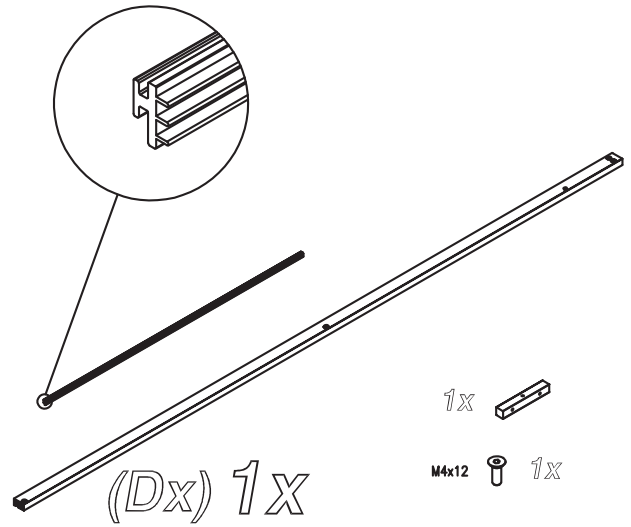
RIC3102



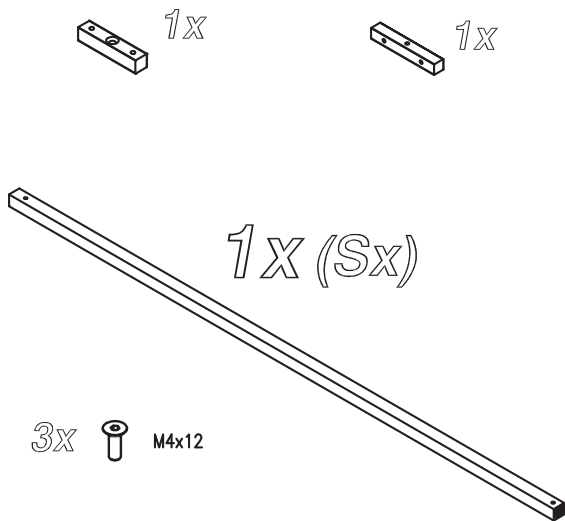
B1740	RIC3164---/SX
B1741	RIC3165---/SX
B1742	RIC3166---/SX
B1743	RIC3167---/SX
B1744	RIC3168---/SX
B1745	RIC3169---/SX
B1746	RIC3170---/SX
B1747	RIC3171---/SX
B1748	RIC3172---/SX
B1749	RIC3173---/SX



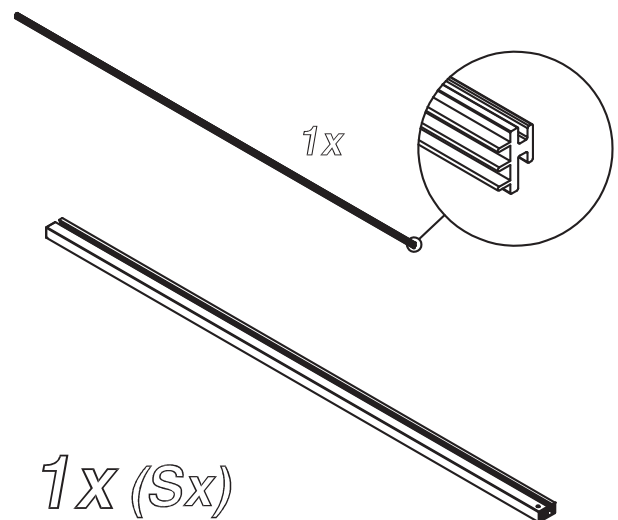
B1740	RIC3164---/DX
B1741	RIC3165---/DX
B1742	RIC3166---/DX
B1743	RIC3167---/DX
B1744	RIC3168---/DX
B1745	RIC3169---/DX
B1746	RIC3170---/DX
B1747	RIC3171---/DX
B1748	RIC3172---/DX
B1749	RIC3173---/DX



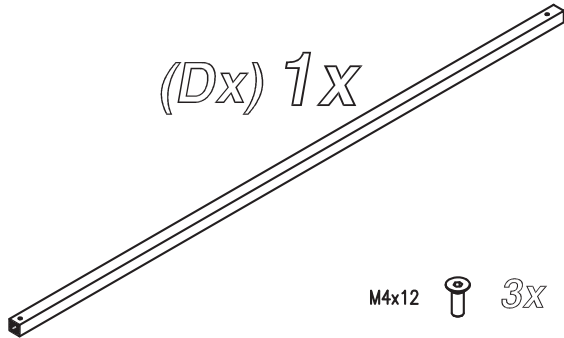
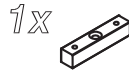
B1740	RIC3158---/SX
B1741	RIC3159---/SX
B1742	RIC3160---/SX
B1743	RIC3161---/SX
B1744	RIC3160---/SX
B1745	RIC3161---/SX
B1746	RIC3160---/SX
B1747	RIC3161---/SX
B1748	RIC3162---/SX
B1749	RIC3163---/SX



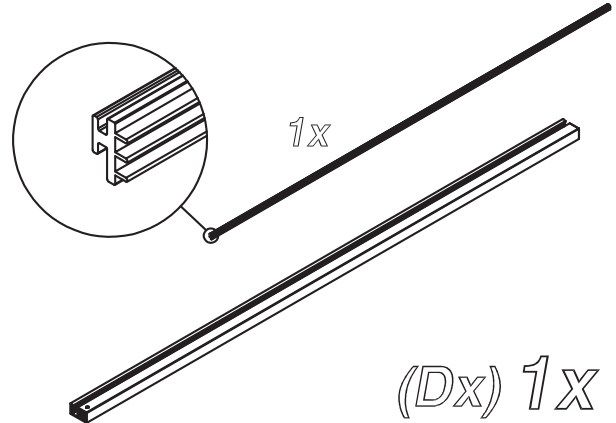
B1740	RIC3174---/SX
B1741	RIC3174---/SX
B1742	RIC3174---/SX
B1743	RIC3174---/SX
B1744	RIC3175---/SX
B1745	RIC3175---/SX
B1746	RIC3176---/SX
B1747	RIC3176---/SX
B1748	RIC3177---/SX
B1749	RIC3177---/SX



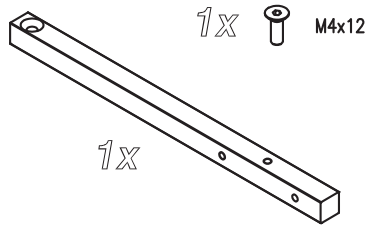
B1740	RIC3174---/DX
B1741	RIC3174---/DX
B1742	RIC3174---/DX
B1743	RIC3174---/DX
B1744	RIC3175---/DX
B1745	RIC3175---/DX
B1746	RIC3176---/DX
B1747	RIC3176---/DX
B1748	RIC3177---/DX
B1749	RIC3177---/DX



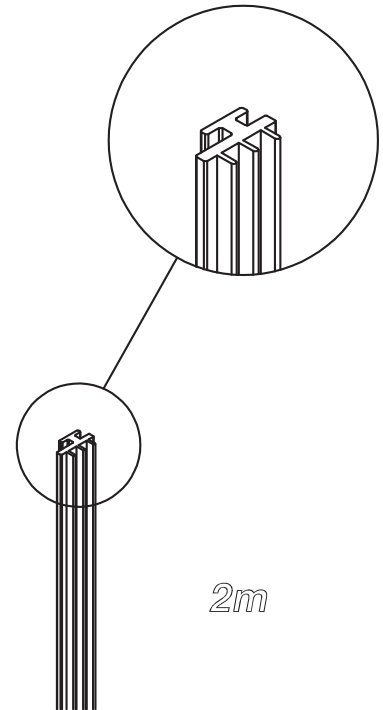
B1740	RIC3158---/DX
B1741	RIC3159---/DX
B1742	RIC3160---/DX
B1743	RIC3161---/DX
B1744	RIC3160---/DX
B1745	RIC3161---/DX
B1746	RIC3160---/DX
B1747	RIC3161---/DX
B1748	RIC3162---/DX
B1749	RIC3163---/DX



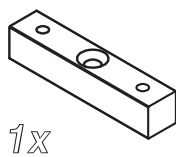
RIC3101



RIC3137



RIC3177



RIC3101

