

Fixed wall, art. B4966ULUTR-F
 Shower tray, art. D4966S01
 Shower system, art. YA2020.100CRO

The shower accessories have being designed exclusively by **samo**

Starting from the design concept of the wide glass panels of 8 mm with height of 200 cm that decorate in an important way the bathroom or other home environment, Samo presents Open Spin, the shower solution which originates from the Open Sway: the glass panel and the shower tray have been rotated giving a drop shape to the whole solution; it has been also accompanied by a door, closing the space in a sort of glass bubble.



• **Aluminium finishing profiles:**
ULU brilliant chrome

• **Tempered glass finishing panels:**
TR transparent
TG transparent Grey

Fixed wall (8 mm.)

Article	Height [cm]	Opening [cm]	Volume [dm ³]	Weight [kg]	Panels finishing	ULU
B4966-F	206	78	1069	55	TR TG	

Kit with N. 1 support brackets is included in the price.

Single pivot door (6 mm.)

Article	Height [cm]	Opening [cm]	Volume [dm ³]	Weight [kg]	Panels finishing	ULU
B4966-B	203	70	259	30	TR TG	

Kit optional

Article	Description	ULU
KT4900	Vertical profile (floor-ceiling) (see pag. 53)	

Shower-system optional

Article	Description	Height [cm]	Shower head Ø [cm]	Width [cm]	Finishing	CRO
YA2018.100CRO	without mixer	85-128	20		CRO	
YA2019.100CRO	with mechanical mixer	85-128	20		CRO	
YA2020.100CRO	with thermostatic mixer	85-128	20		CRO	
YA1015.221CRO	with mechanical mixer	114	20x20		CRO-Stonecristal white	
YA3014.221CRO	with mechanical mixer	114	20		CRO-Stonecristal white	
YA4024.100CRO	with thermostatic mixer	113		88,5	CRO	

Shower system, see page 334.

Shower curtains optional

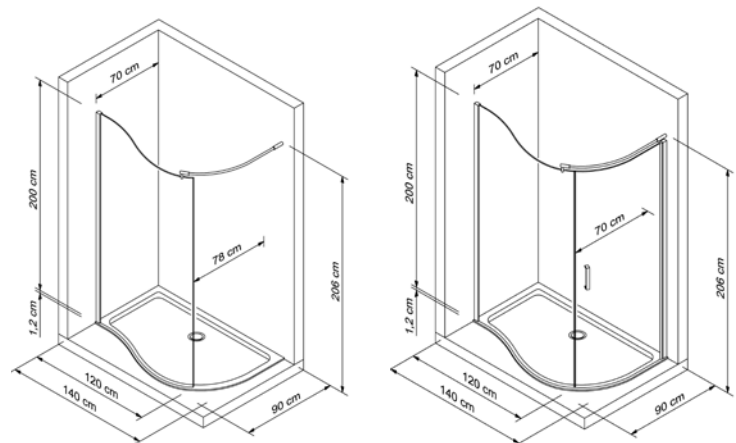
Article	Description	01	04	08	23
YA4890T	Silk Shantung curtains				

Available in: **01 White Sincero** - **04 Green Vivace** - **08 Sand Audace** - **23 Violet Spavaldo**, (see page 52).

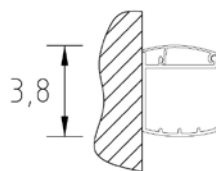
Shower tray optional

Article	Description	Maximum Overall [cm]	S01
D4966	Shower tray	90x140	

Technical info: see pages on dedicated area.



Installation is available upon request, please refer to the closest Service Centre



Wall profiles dimensions

Packaging is composed of n° boxes: **1/2**

Sector	Delivery Ex Works
Sector A	1-2 Weeks
Sector B	3 Weeks
Sector C	4-5 Weeks
Sector N	bespoke and new products



B4966ULUTR version with door B4966ULUTR-B