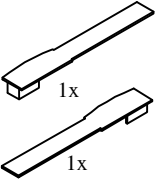
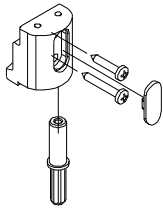


RIC879



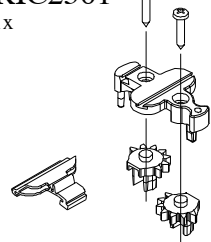
RIC2299

1x



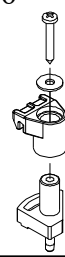
RIC2301

1x



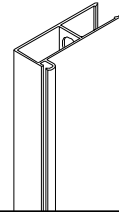
RIC2300

1x



RIC2304

2x



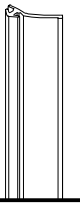
RIC877

2x



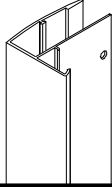
RIC2298

1x



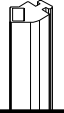
RIC1409

2x



RIC2296

1x



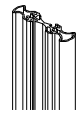
RIC2297

1x



RIC2309

1x



RIC2302

2x



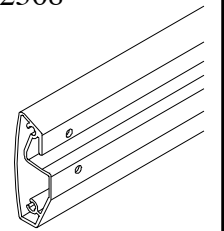
RIC2305

RIC2306

RIC2307

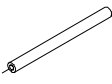
RIC2308

1x



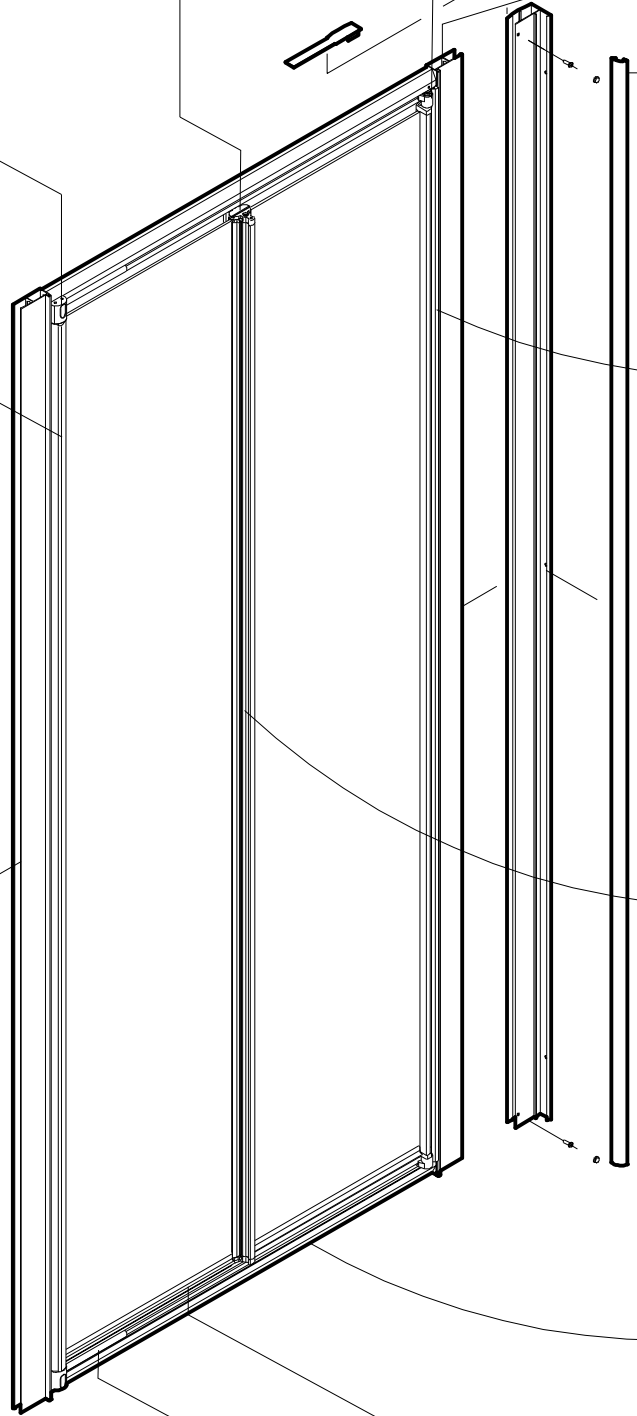
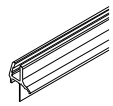
RIC2295

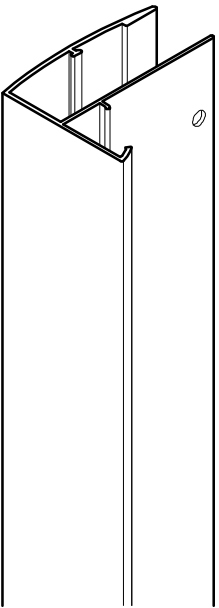
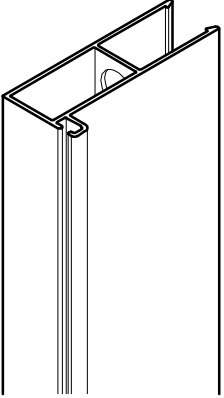
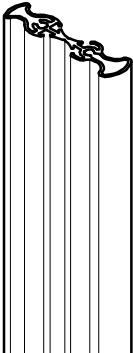

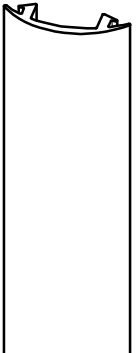
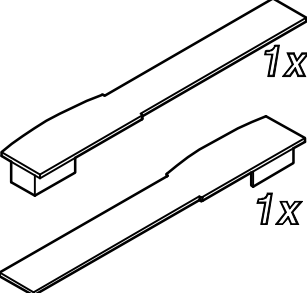
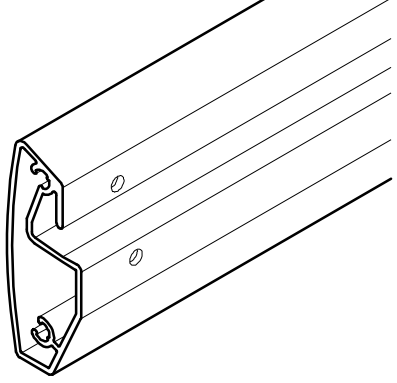
2x



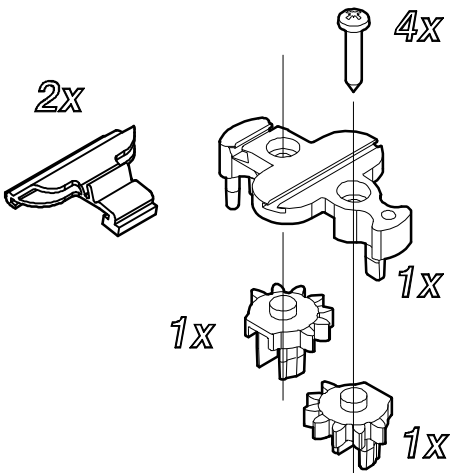
RIC2303

2x



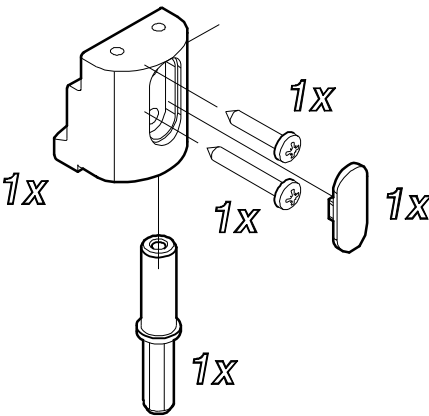
<p><i>RIC1409</i> 2x</p> 	<p><i>RIC2304</i> 2x</p> 	<p><i>RIC2309</i> 1x</p> 	<p><i>RIC2298</i> 2x</p> 	<p><i>RIC877</i> 2x</p> 
<p><i>RIC879</i></p> 	<p><i>RIC2305</i> <i>RIC2306</i> <i>RIC2307</i> <i>RIC2308</i> 1x</p> 			

*RIC2301*



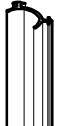
2x  
1x  
1x  
1x  
4x

*RIC2299*



1x  
1x  
1x  
1x  
1x


*RIC2302*



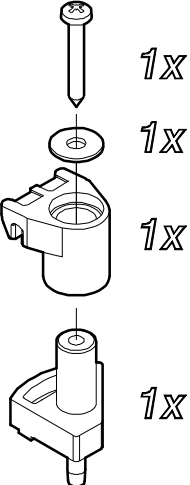
2x

---

*RIC1799*  
6x

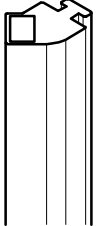


*RIC2300*



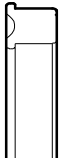
1x  
1x  
1x  
1x

*RIC2296*



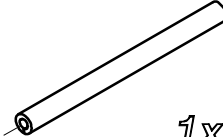
1x

*RIC2297*



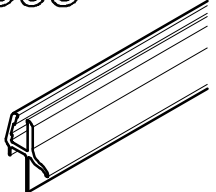
1x

*RIC2295*



1x

*RIC2303*



1x