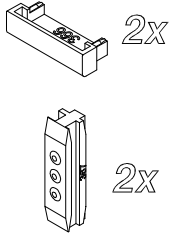
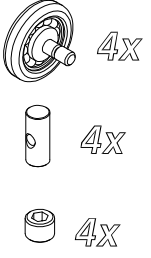
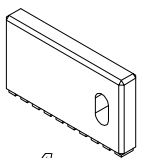
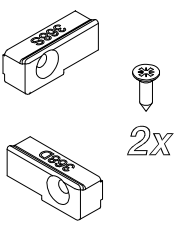
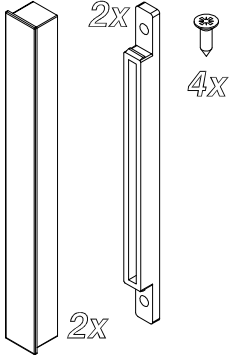
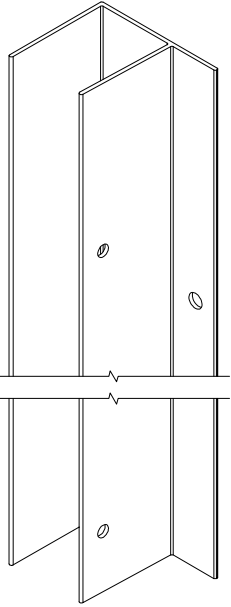
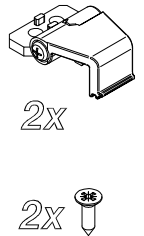
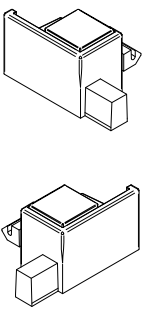
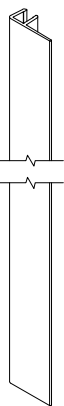
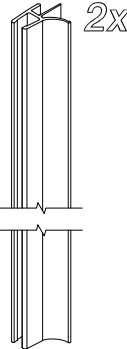
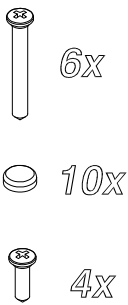
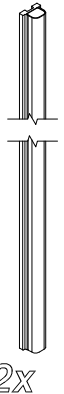


- RIC2666 --> 1280mm B6363
- RIC2667 --> 1320mm B6364
- RIC2668 --> 1380mm B6365
- RIC2669 --> 1420mm B6366
- RIC2670 --> 1480mm B6367
- RIC2671 --> 1520mm B6368
- RIC2672 --> 1580mm B6369

- RIC2673 --> 616mm B6363
- RIC2674 --> 636mm B6364
- RIC2675 --> 676mm B6365
- RIC2676 --> 696mm B6366
- RIC2677 --> 716mm B6367
- RIC2678 --> 736mm B6368
- RIC2679 --> 776mm B6369

<p><i>RIC2595</i></p>  <p>2x 2x</p>	<p><i>RIC2596</i></p>  <p>4x 4x 4x</p>	<p><i>RIC1800</i></p>  <p>4x</p>	<p><i>RIC2597</i></p>  <p>2x</p>	<p><i>RIC2598</i></p>  <p>2x 2x 4x</p>	<p><i>RIC2605</i></p> 	
<p><i>RIC2599</i></p>  <p>2x 2x</p>	<p><i>RIC2600</i></p> 	<p><i>RIC2601</i></p>  <p>2x</p>	<p><i>RIC2602</i></p>  <p>2x</p>	<p><i>RIC2603</i></p>  <p>6x 10x 4x</p>		<p><i>RIC2604</i></p>  <p>2x</p>

*RIC2666* --> 1280mm B6363  
*RIC2667* --> 1320mm B6364  
*RIC2668* --> 1380mm B6365  
*RIC2669* --> 1420mm B6366  
*RIC2670* --> 1480mm B6367  
*RIC2671* --> 1520mm B6368  
*RIC2672* --> 1580mm B6369

*RIC2673* --> 616mm B6363  
*RIC2674* --> 636mm B6364  
*RIC2675* --> 676mm B6365  
*RIC2676* --> 696mm B6366  
*RIC2677* --> 716mm B6367  
*RIC2678* --> 736mm B6368  
*RIC2679* --> 776mm B6369

