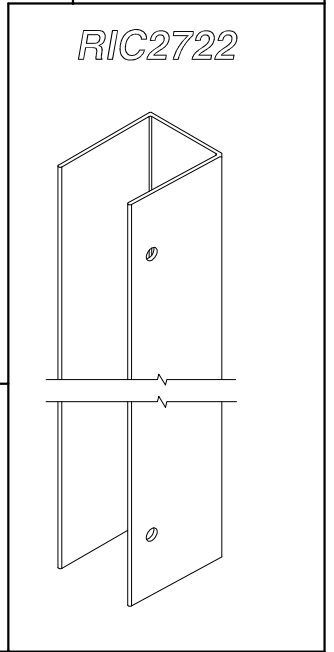
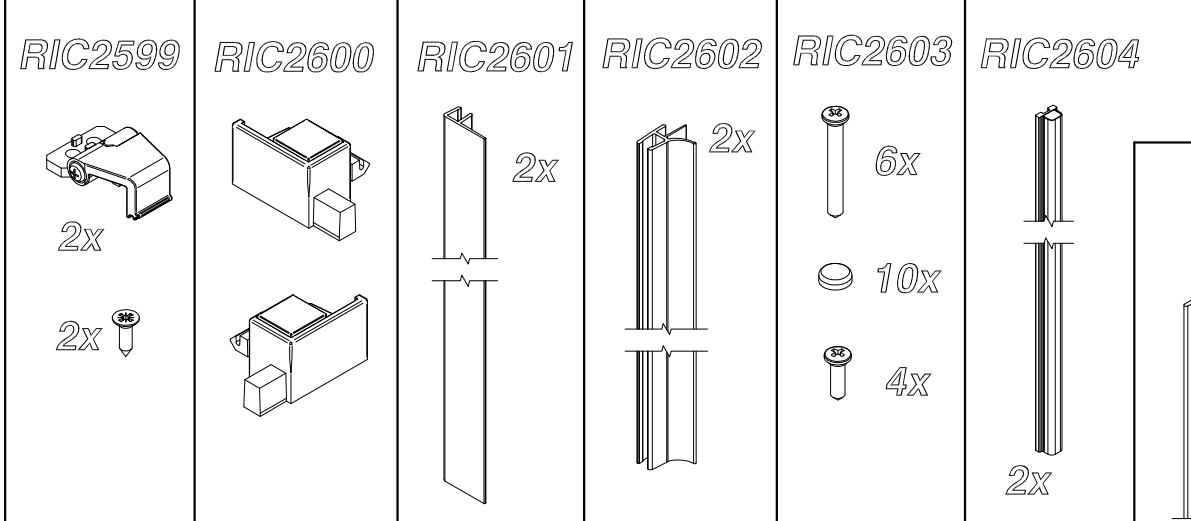
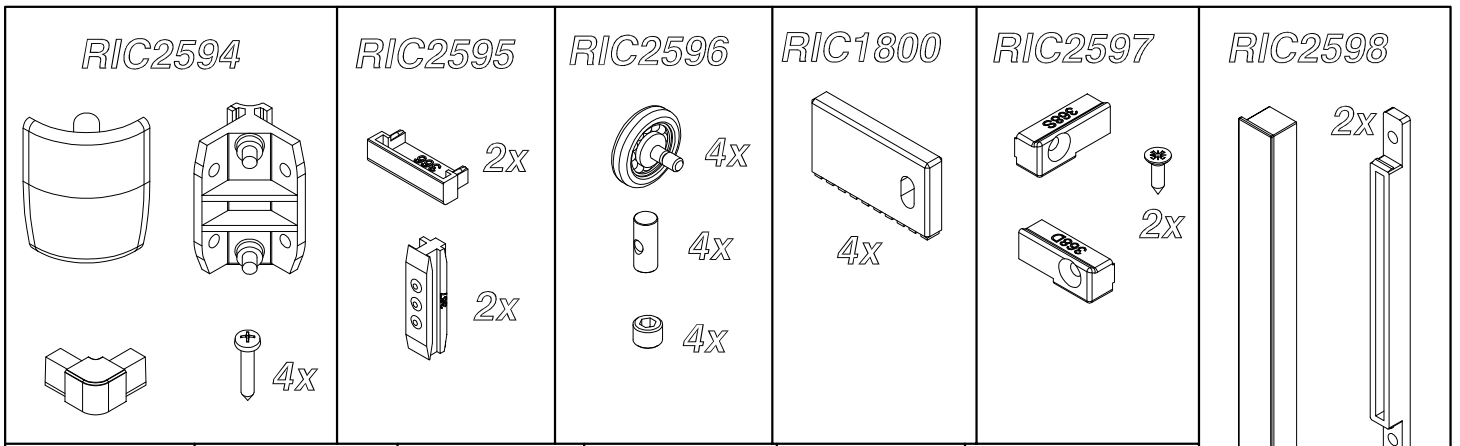
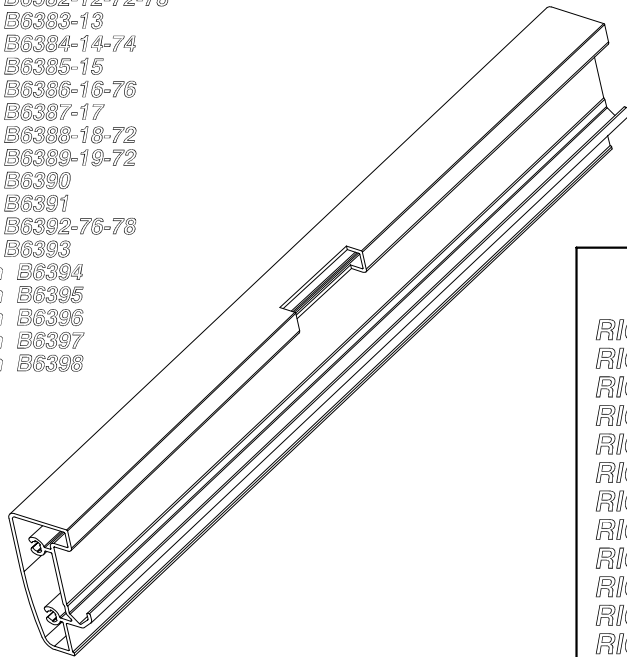


- RIC2623 ==> 301mm B6382-12-72-78
- RIC2624 ==> 311mm B6383-13
- RIC2625 ==> 331mm B6384-14-74
- RIC2626 ==> 351mm B6385-15
- RIC2627 ==> 361mm B6386-16-76
- RIC2628 ==> 381mm B6387-17
- RIC2629 ==> 401mm B6388-18-72
- RIC2630 ==> 411mm B6389-19-72
- RIC2631 ==> 431mm B6390
- RIC2632 ==> 451mm B6391
- RIC2633 ==> 459mm B6392
- RIC2634 ==> 481mm B6393-94
- RIC2635 ==> 509mm B6395
- RIC2636 ==> 514mm B6396-97-98



- RIC2606 /DX --> 603mm B6382-12-72-78
- RIC2607 /DX --> 623mm B6383-13
- RIC2608 /DX --> 663mm B6384-14-74
- RIC2609 /DX --> 703mm B6385-15
- RIC2610 /DX --> 723mm B6386-16-76
- RIC2611 /DX --> 763mm B6387-17
- RIC2612 /DX --> 803mm B6388-18-72
- RIC2613 /DX --> 823mm B6389-19-72
- RIC2614 /DX --> 863mm B6390
- RIC2615 /DX --> 903mm B6391
- RIC2616 /DX --> 923mm B6392-76-78
- RIC2617 /DX --> 963mm B6393
- RIC2618 /DX --> 1003mm B6394
- RIC2619 /DX --> 1023mm B6395
- RIC2620 /DX --> 1063mm B6396
- RIC2621 /DX --> 1103mm B6397
- RIC2622 /DX --> 1123mm B6398



- RIC2623 --> 301mm B6382-12-72-78
- RIC2624 --> 311mm B6383-13
- RIC2625 --> 331mm B6384-14-74
- RIC2626 --> 351mm B6385-15
- RIC2627 --> 361mm B6386-16-76
- RIC2628 --> 381mm B6387-17
- RIC2629 --> 401mm B6388-18-72
- RIC2630 --> 411mm B6389-19-72
- RIC2631 --> 431mm B6390
- RIC2632 --> 451mm B6391
- RIC2633 --> 459mm B6392
- RIC2634 --> 481mm B6393-94
- RIC2635 --> 509mm B6395
- RIC2636 --> 514mm B6396-97-98

- RIC2606 /SX --> 603mm B6382-12-72-78
- RIC2607 /SX --> 623mm B6383-13
- RIC2608 /SX --> 663mm B6384-14-74
- RIC2609 /SX --> 703mm B6385-15
- RIC2610 /SX --> 723mm B6386-16-76
- RIC2611 /SX --> 763mm B6387-17
- RIC2612 /SX --> 803mm B6388-18-72
- RIC2613 /SX --> 823mm B6389-19-72
- RIC2614 /SX --> 863mm B6390
- RIC2615 /SX --> 903mm B6391
- RIC2616 /SX --> 923mm B6392-76-78
- RIC2617 /SX --> 963mm B6393
- RIC2618 /SX --> 1003mm B6394
- RIC2619 /SX --> 1023mm B6395
- RIC2620 /SX --> 1063mm B6396
- RIC2621 /SX --> 1103mm B6397
- RIC2622 /SX --> 1123mm B6398

